

CPE310K

4G Wireless Router



Overview

CPE300K is a new 4G LTE CPE with LTE CAT 4 technology. The router is mainly aimed at the office, home, security and IoT. It provides high- speed and reliable routing and data transmission capabilities, to meet their different application scenarios.

- 1*10/100Mbps RJ45 WAN
2*10/100Mbps RJ45 LAN
- 1*Sim Standard Card Slot
- Throughput: LTE CAT4
FDD-LTE 150Mbps/50Mbps
- Support Multiple Internet Connect: 4G , PPPOE, APN
- Radio rate up to 300Mbps, support wireless security functions

Highlight

- MTK7628KN CPU,
- Memory: 8MB ,
- 4G Module: LTE CAT4,
- Flash: 2MB ,
- Support 3*10/100Mbps RJ45,
- Support multi-carrier (4G LTE),
- External reset button,
- Power supply: DC 12V 1A(EU Adapter)
- Support external LED indicator,
- Button: Power, Reset, WPS , WiFi,
- Support antenna: 2*WIFI+2*LTE,(5dBi gain.)
- Support SIM lock card and traffic statistics
- Support IPV4, Protocol

Benefit

Wireless WAN Connectivity

The 4G router enables easy-to-install wireless connectivity in small business or remote office locations. Ideal for small businesses ,home ,offices and mobile networks; the 4G router provides wired Ethernet, and 4G wireless WAN connectivity to keep you and your business up and running.

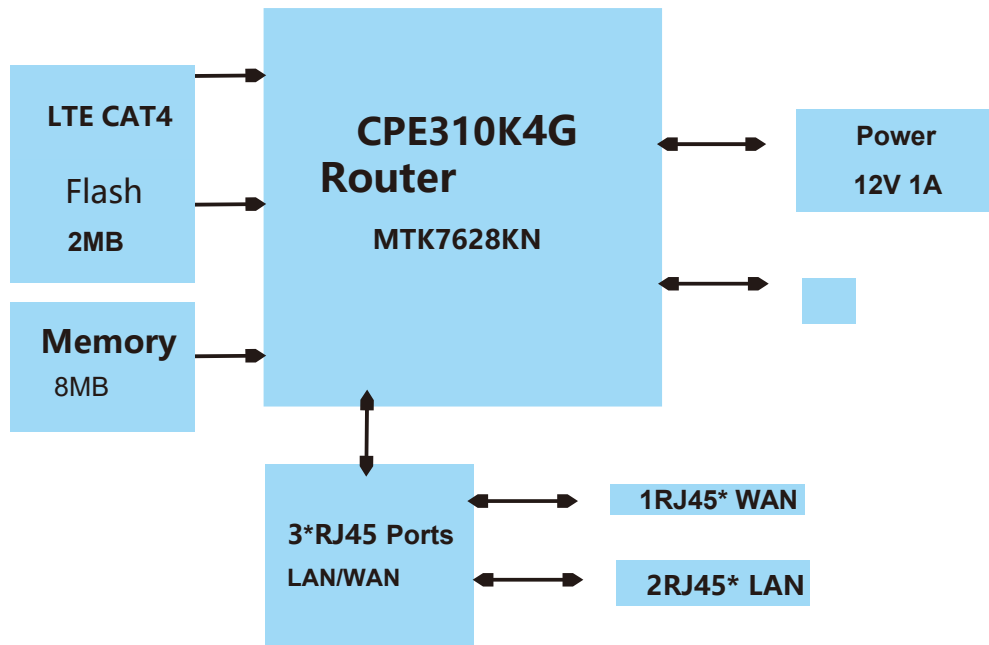
Secure and Reliable

a-LAN connections are protected with advanced WiFi encryption.

b-Main office access and business transactions are protected by APN capability, and other security features to ensure your network stays secure.

c-Designed for small office/home /IoT/Security deployments.

Product Architecture Diagram



Hardware Specification

Application Scenarios	Home, Office, IoT, Security
Concurrent Clients	30
CPU	MTK7628KN
Interface	1 * WAN Port+2* LAN Ports
Button	Reset, WPS,
Power Supply	DC12V /1A
Flash/Memory	2MB/8MB
SIM Card	Standard SIM
LED	PWR, WAN, LAN, 2.4Gwifi, 4G
Dimensions	222*80*21(mm)
Antennas	2.4G:2T2R 4G :2T2R
Antenna Gain	5dBi
Frequency	802.11b/g/n: 2.4~2.4835GHz
Radio Rate	2.4G: Up to 300Mbps
IPV4	Support
Wireless Security	WPA-PSK/WPA2-PSK、 WPA/WPA2

Hardware Specification

Modulation	11b: DSS:CCK@5.5/11Mbps,DQPSK@2Mbps, DBPSK@1Mbps 11g: OFDM:64QAM@48/54Mbps,16QAM@24Mbps, QPSK@12/18Mbps,BPSK@6/9Mbps 11n: MIMO-OFDM:BPSK,QPSK,16QAM,64QAM
Receiver Sensitivity	11b: <-84dbm@11Mbps; 11g: <-69dbm@ 54Mbps; 11n: HT20<-67dbm HT40: <-64dbm
4G Module	LTE CAT4
Frequency	4G LTE FDD: B1/B3/B5/B8 4G LTE TDD:B34/B38/B39/B40/B41

Product Specification

Mode	4G Router
WiFi Setting	Wireless Setting、 Channel bandwidth Setting
Status	CPU Status、 Interface Status、 4G Status Client List Internet Status
Network	LAN WAN DHCP APN
Traffic assistant	Statistics and display the usage of traffic in 4G mode.
Sys	Username Management Reboot Upgrade/Restore/Backup Sys time & date Sys logs
Setting Guide	Type of connect Internet Network WiFi
Operating Environment	Operating Temperature: Normal:0°C to +45°C; Operating Humidity: -20° C to +70° C Operating Humidity: 5%~ 95% Storage Humidity: 5%~ 95%